



DESIGO™ PX

Multifunction cover blade

PXA-H1

For wall mounting or in panel doors

- Simple cover for 138x138 mm cut outs in the panel doors.
- Attach an operator unit PXM10 or PXM20(-E) to the wall
- Simplifies renovations, reducing costs.

Use

The multifunction cover blade PXA-H1 allows for easy wall mounting of a PXM10 or PXM20(-E) operator unit.

The cutout must often be closed when migrating automation stations with a 138x138 mm cutout. This work is time intensive, mostly specific to a given plant, and often unsatisfactory from an aesthetics viewpoint. The multifunction cover blade PXA-H1 simplifies renovations and reduces the costs.

Ordering

Type	Designation
PXA-H1	Multifunction cover blade

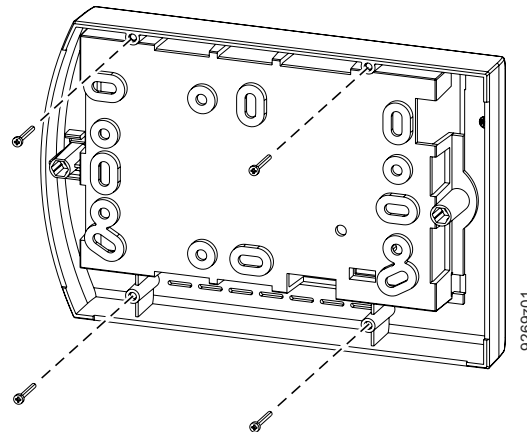
Mounting instructions

The examples below describe various solution approaches, but generally consider three variants, which can also be combined:

- Cover an existing cutout of 138x138 mm.
- Easy mounting of a PXM10 or PXM20(-E) operator unit to the panel door or to the wall.
- Mounting of an operator unit to the panel door and mounting of a new automation station on a mounting rail on the inner face of the panel door.

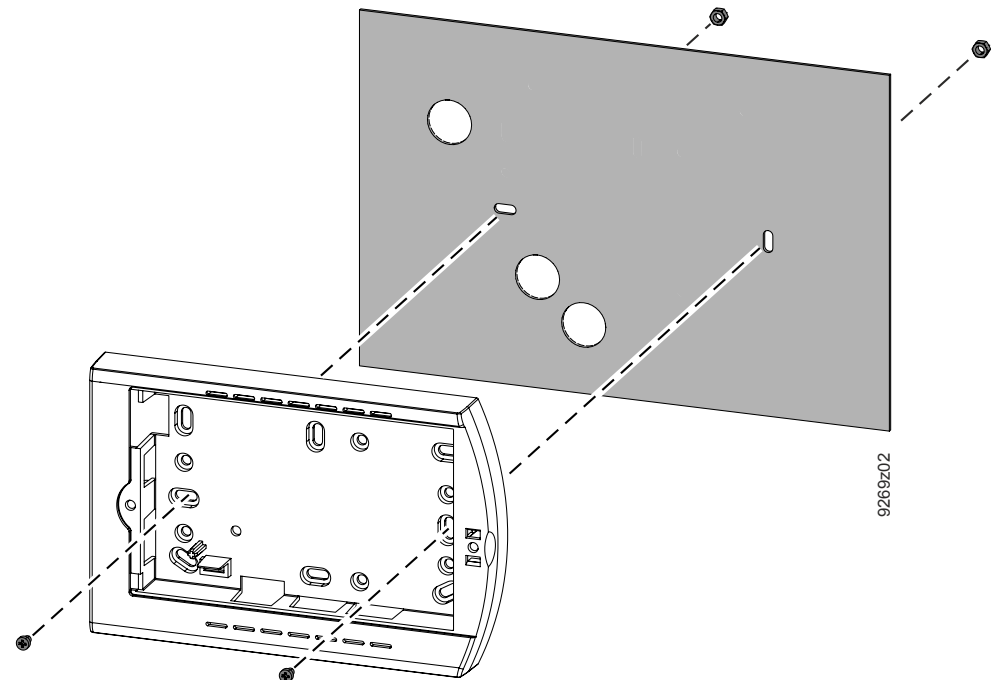
Cover panel door cutout

Simple attachment from behind (to cover the cutout only), using the enclosed screws. Use the enclosed cover



Mount a PXM20... operator unit on panel door

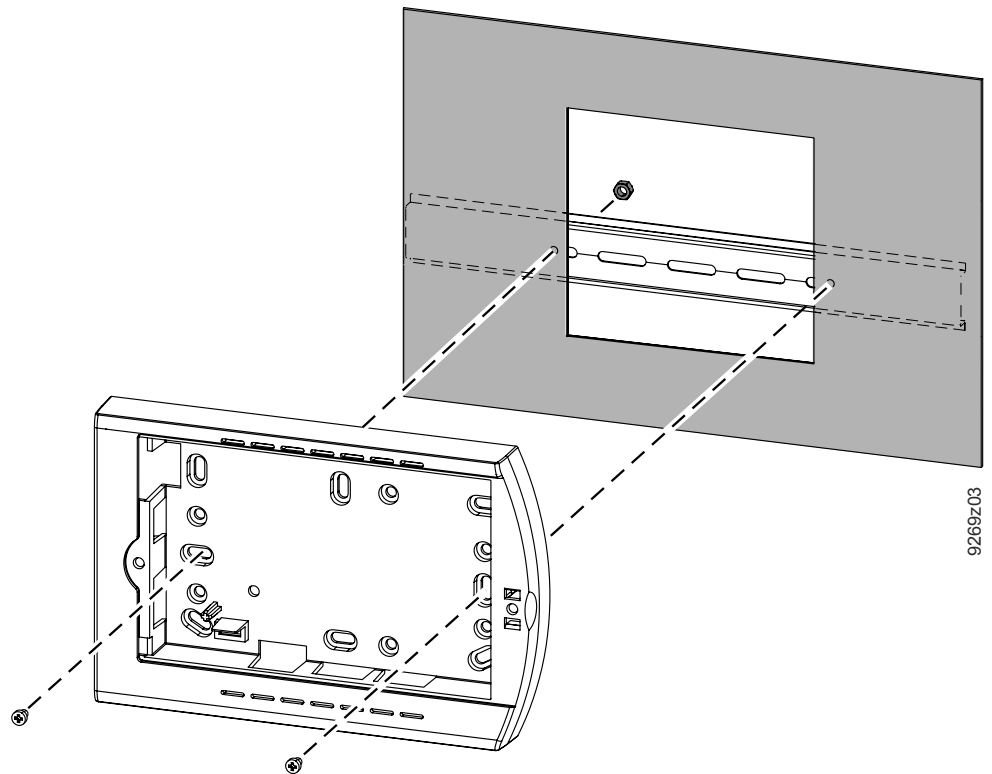
The large holes are for cables of the operator unit and can be drilled as needed.
→ Make sure to trim edges or provide edge protection!



Attach DIN rails

On the rear of the panel door, DIN rails may be attached using the cover blade in different variations.

The required mechanical strength depends on the device to be mounted. Light-weight devices may be attached without drilling additional holes in some cases. Additional screws are required, however, to mount the rail for an automation station. The DIN rails can be attached both horizontally as well as vertically with the supplied screws.

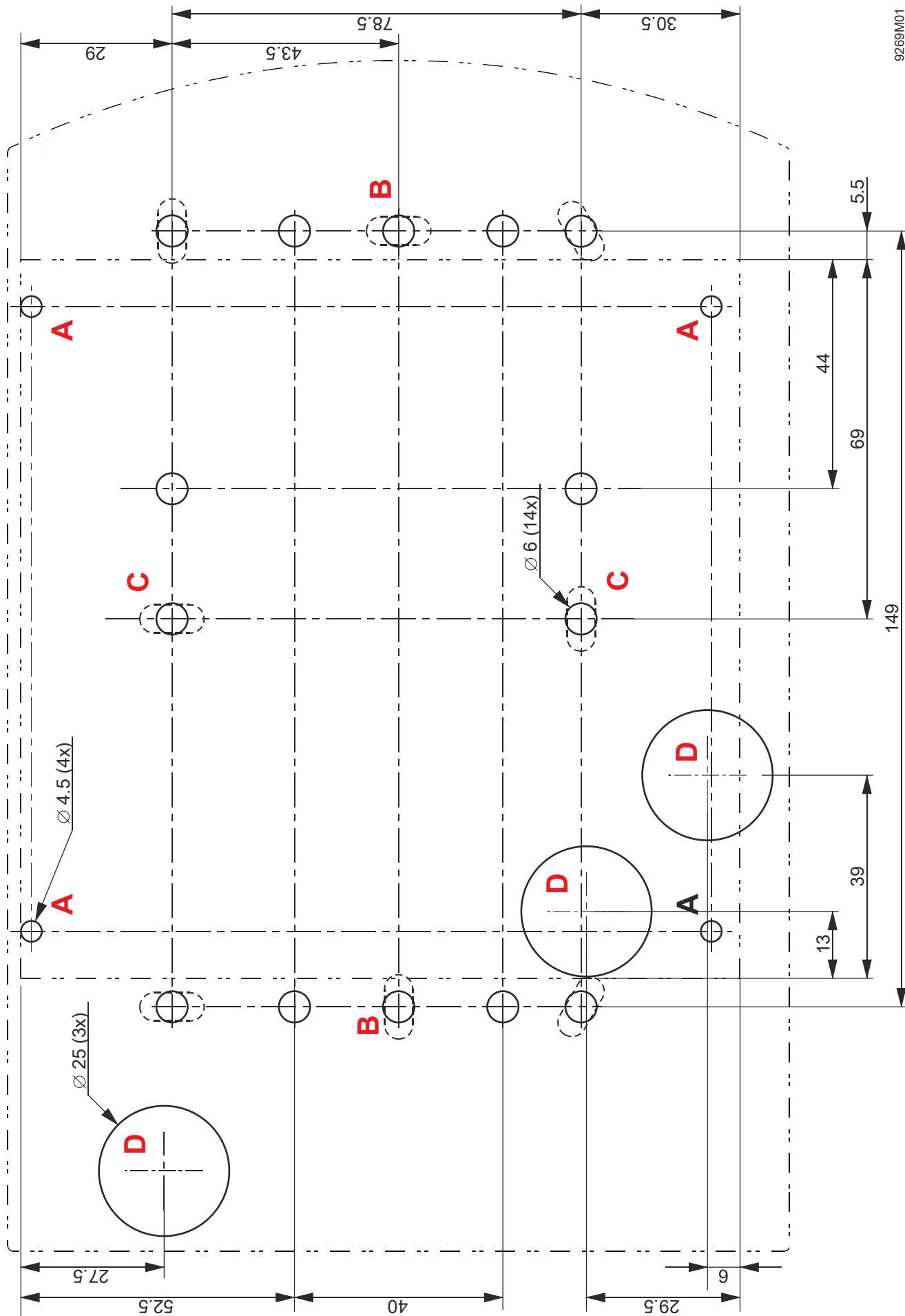


Dimensions

Drilling template for cover (as viewed from the front); all dimensions in mm

- A** Holes for simple mechanical attachment from the rear.
- B** Holes required for horizontal mounting of a DIN rail.
- C** Holes required for vertical mounting of a DIN rail.
- D** Holes used for cables from any operator units.
→ Make sure to trim edges or provide edge protection!

All other holes can be used depending on the use.



9269M01